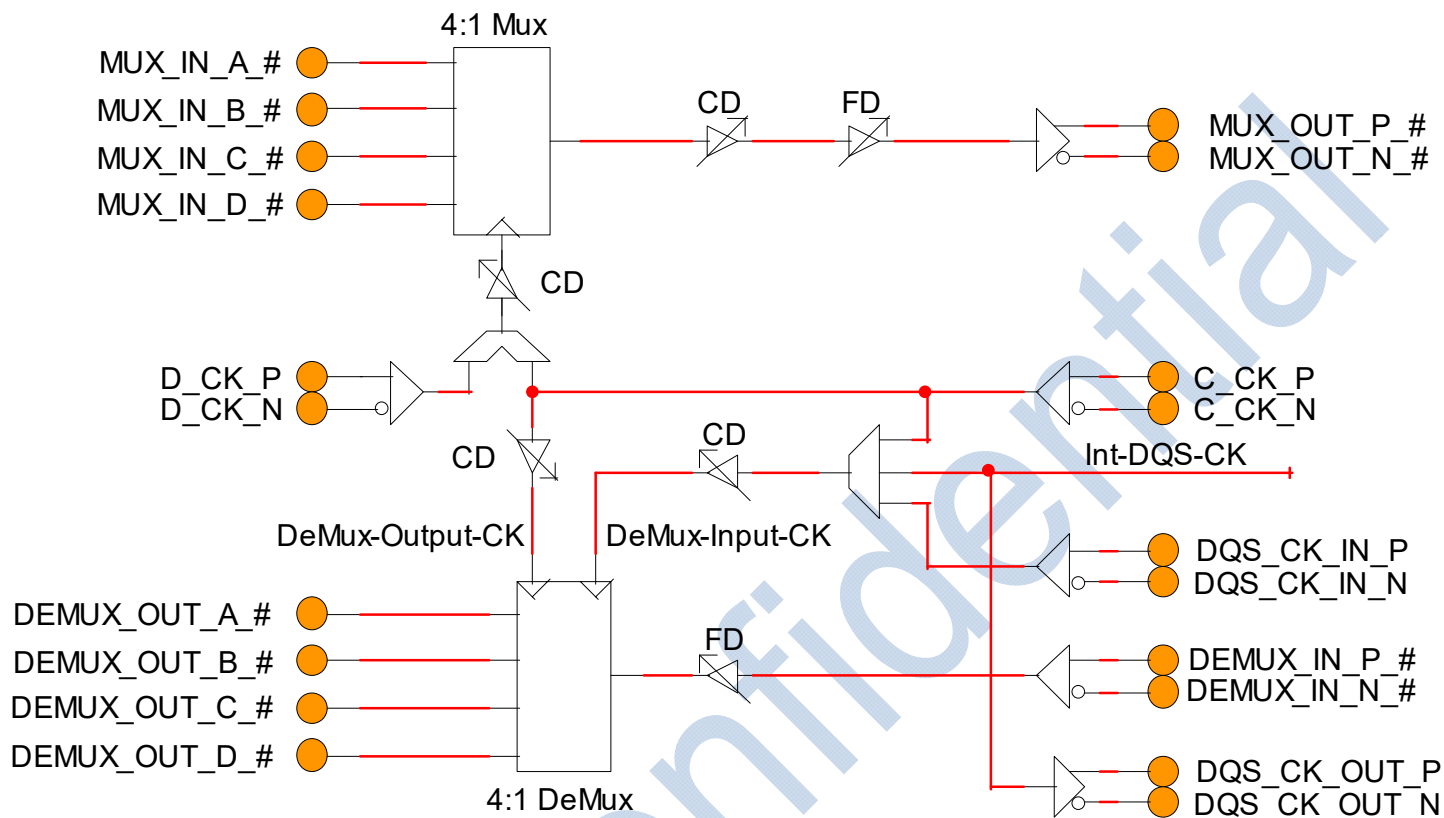


ANALOG TEST ENGINES



MD32 – Hex, 3.2 Gb/s 4:1 Mux / 1:4 DeMux w/ Deskew

High Speed Serializer

- 4:1 Mode / 2:1 Shift Modes
- Asynchronous Bypass Mode
- 4 Parallel Inputs / Mux
- 3.2 Gb/s Fmax SERDES Output
- Coarse Delay (1.5 ns range, 25 ps res)
- Fine Delay (200 ps range, 1 ps res)
- Pulse Width Adjust (± 32 ps, 0.25 ps res)
- Dedicated D_CK for Serializer

Clock Features

- 1.6 GHz Fmax
- On-Chip Termination
- Coarse Delay (1.5 ns range, 25 ps res)
- Pulse Width Adjust (± 64 ps, 0.5 ps res)

2 Pin Serial Port

High Speed Deserializer

- 1:4 Mode / 1:2 Shift Modes
- Asynchronous Bypass Mode
- 3.2 Gb/s Fmax Differential Input
- 4 Parallel Outputs (1.8V CMOS)
- Fine Delay (200 ps range, 1 ps res)
- Pulse Width Adjust (± 32 ps, 0.25 ps res)
- 3 Clock Options for Deserializer
 - C_CK (Tester Clock)
 - Internal DQS_CK (DUT Clock)
 - External DQS_CK (DUT Clock)

Package / Power

- 12 mm X 12 mm QFN, Lead Free
- Exposed heat slug on bottom
- 108 Lead, 0.4 mm lead pitch
- 4W / Chip