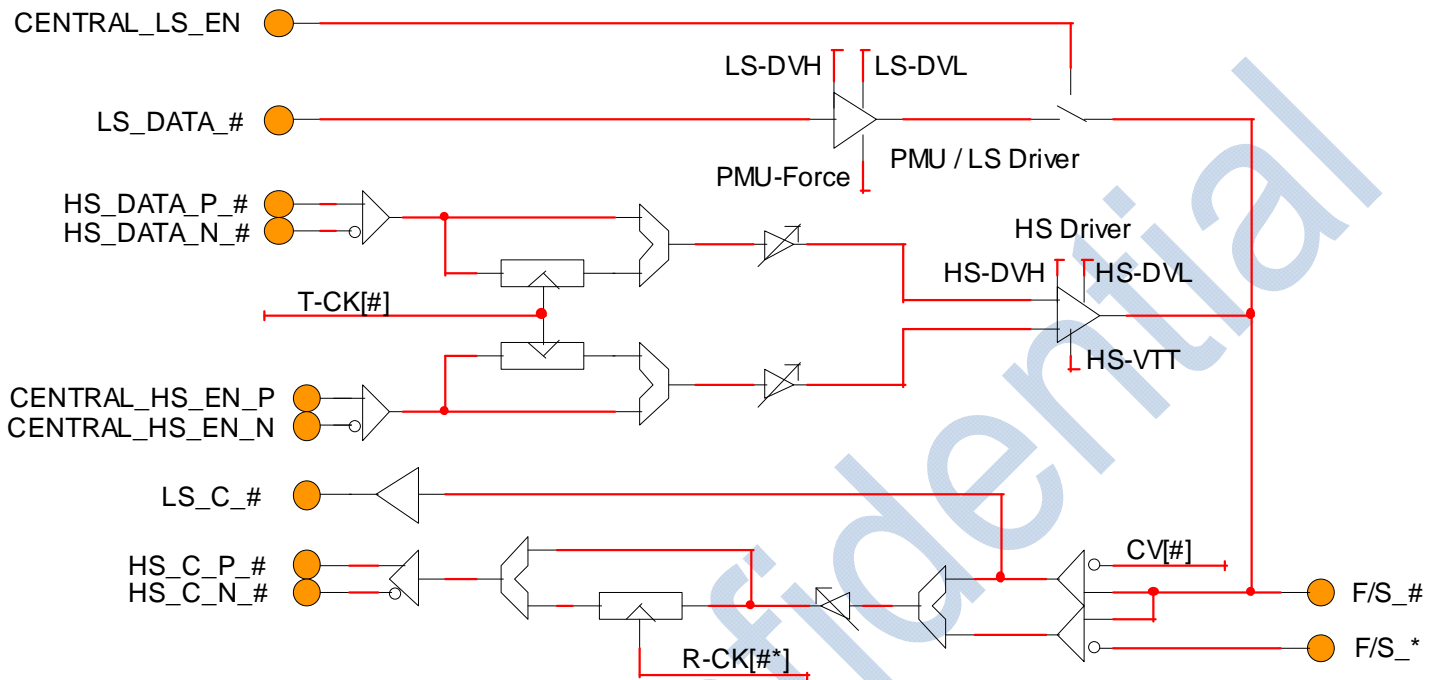


# ANALOG TEST ENGINES



## PE10 . D-Phy Pin Electronics, 10 Channel, 3.2 Gb/s

### Pin Electronics . High-Speed Driver

- 3-Level, 3.2 Gb/s Fmax
- -0.5V to +3.0V Output Range
- Programmable Pre-Compensation
- Synchronous / Asynchronous Operation
- Differential Driver Configuration
- D-Phy Lane Configuration

### Pin Electronics . High-Speed Comparator

- 3.2 Gb/s Fmax
- Single comparator w/ on-chip thresholds
- Differential comparator per Channel Pair
- -1V to +4V Input Range
- Synchronous / Asynchronous Operation

### Deskew

- Coarse Delay (1.26 ns range, 20 ps res)
- Fine Delay (64 ps range, 1 ps res)
- Pulse Width Adjust ( $\pm 32$  ps / 0.5 ps Res)

### Low Speed Driver

- 2-Level, 100 Mb/s Fmax
- -0.5V to +3.0V Output Range

### PMU

- FV / FI / MV / MI Capability
- -1V to +4V FV Range
- 5 Current Ranges (4  $\mu$ A to 40 mA)
- Programmable Voltage / Current Clamps
- Precision Mode

### Measurement System

- External Force / Sense Switches
- Analog Monitor (with an External ADC)

### Built-In Self Protection

- Over Temperature Alarm
- Current / Voltage Clamp and Alarm
- DUT Ground Continuity Checker

### 2 Pin Serial Port

### Package / Power

- 13 mm X 13 mm QFN, Lead Free
- Exposed heat slug on bottom
- 120 Lead, 0.4 mm lead pitch
- 1W / Channel (Pd<sub>q</sub>)