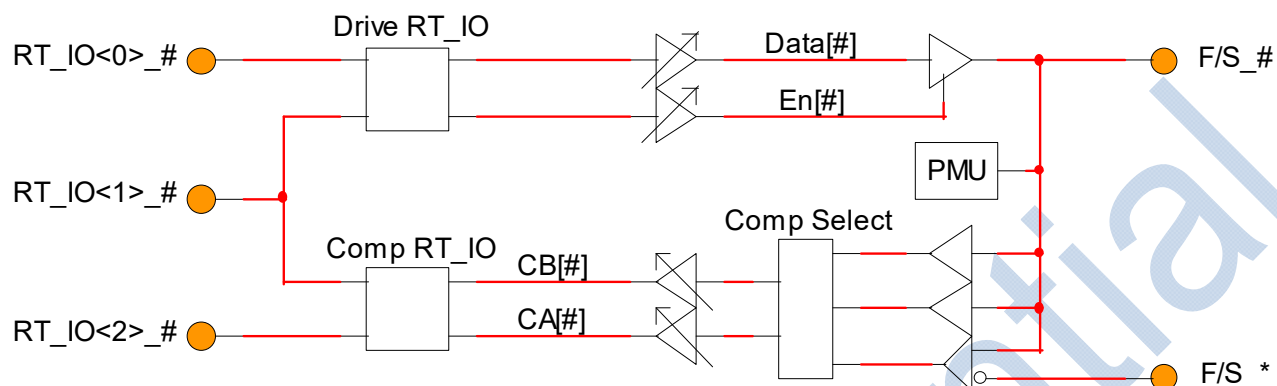


ANALOG TEST ENGINES



PE111 – Octal, 1.6 Gb/s, 5V, Pin Electronics

Pin Electronics – Driver

- 1.6 Gb/s Fmax
- 3 Level Driver w/ on-chip levels
- -0.5V to +3.5V Output Range
- Programmable Precompensation

Pin Electronics – Comparator

- 2.0 Gb/s Fmax
- Dual comparator w/ on-chip thresholds
- Differential comparator
- -1.0V to +4.5V Input Range

Real Time Data I/O

- Single Ended CMOS FPGA Interface
- Synchronous / Asynchronous Operation
- 1:1, 1:2 and Differential Modes

Deskew

- Fine Delay (1.25 ns, 2.5 ps resolution)
- Falling Edge Adjust (±150 ps, 10 ps resolution)
- Independent deskew per channel, per function (Data / Enable / Comp A / B)

PMU

- FV / FI / MV / MI Capability
- -1.0V to +4.5V FV Range
- -2.0V to +5V MV Range
- 5 Current Ranges (40.96 mA to 4.096 µA)
- Programmable Voltage Clamps
- Programmable Current Clamps

Measurement Capability

- MV / MI Capability
- 2 Bit “Go / No Go” MV Capability
- 2 Independent Analog Monitors (for use with an External ADC)
- External Force / Sense Switches

Built-In Self Protection

- Over Temperature Alarm
- DUT Ground Continuity Checker

2 Pin Serial Port

Power / Package

- 72 Lead, 10 mm X 10 mm QFN
 - Lead Free
 - Exposed Heat Slug on the Bottom
 - Extremely low Θ_{JC}
- 700 mW / Channel (Pd_q)

Recommended Applications

- Memory Test
- Wafer Probe
- High Speed Digital Test
- BIST / Scan Test