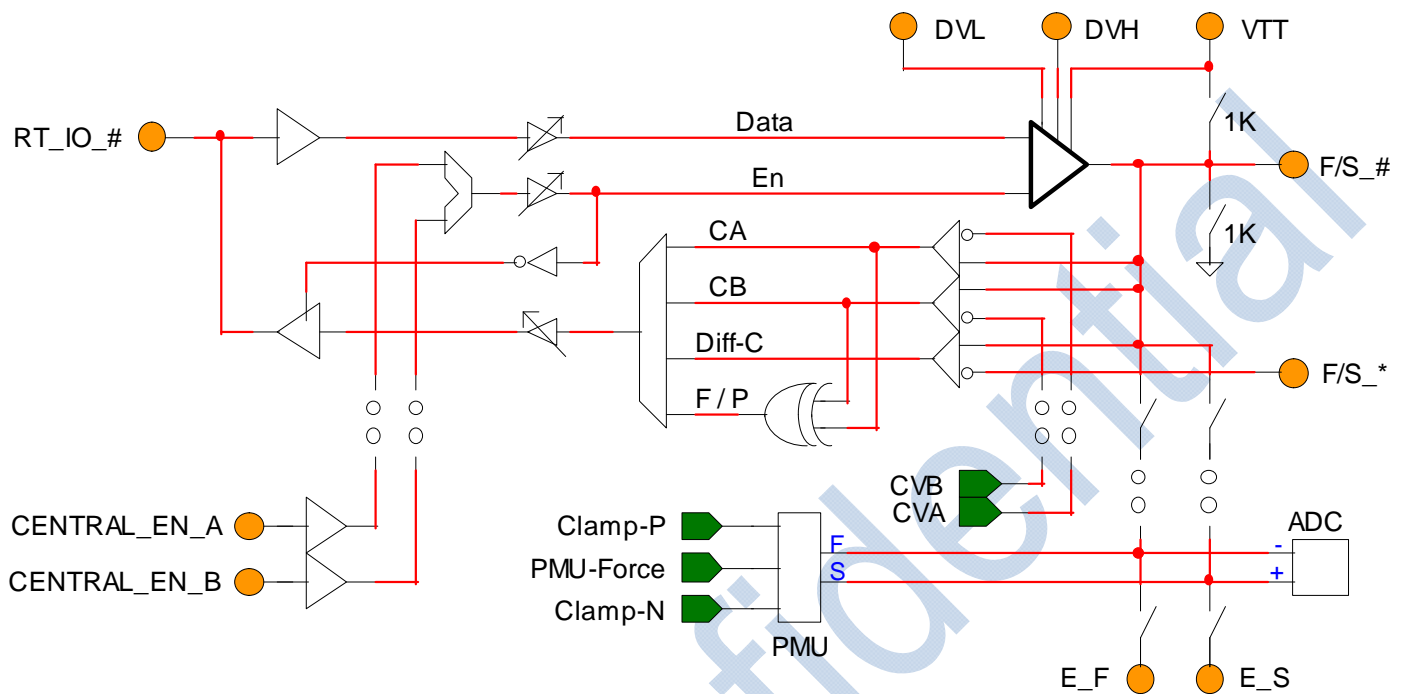


ANALOG TEST ENGINES



PE25 . Octal Channel, 5V, 1 Gb/s Pin Electronics

Pin Electronics . Driver

- 1.0 Gb/s, 3 Level Driver
- -1.0V to +4.0V Output Range
- 1K \hat{o} HiZ Pull-Down to Ground Option
- 1K \hat{o} HiZ Pull-Up to VTT Option
- Differential Driver Mode

Pin Electronics . Comparator

- 1.0 Gb/s Fmax
- -1.5V to +4.5V Input Range
- Dual comparators w/ on-chip thresholds
- Differential comparators per Channel Pair
- Pass / Fail Mode

Deskew

- Coarse Delay (5 ns range, 40 ps res)
- Pulse Width Adjust (± 256 ps / 4 ps Res)

FPGA Real Time Interface

- 1 Bidirectional, Asynchronous Pin / Chan
- CMOS I/O w/ On-Chip Terminations
- Technology Independent I/O

PMU

- 1 PMU / Chip
- -0.75V to +3.5V Force Range
- -1.0 to +4.0V Measure Range
- 5 Current Ranges (4 μ A to 40 mA)
- FV / FI / MV / MI
- Voltage / Current Clamps

Measurement System

- Integrated 16-Bit ADC
- Integrated Force & Sense Switches

Built-In Self Protection

- Over Temperature Alarm
- F/S_# Continuity Checker
- DUT Ground Continuity Checker

2 Pin Serial Port

Package / Power

- 7 mm X 7 mm QFN, Lead Free
- Exposed heat slug on bottom
- 48 Lead, 0.5 mm lead pitch
- 75 to 125 mW / Channel (Pd_q)