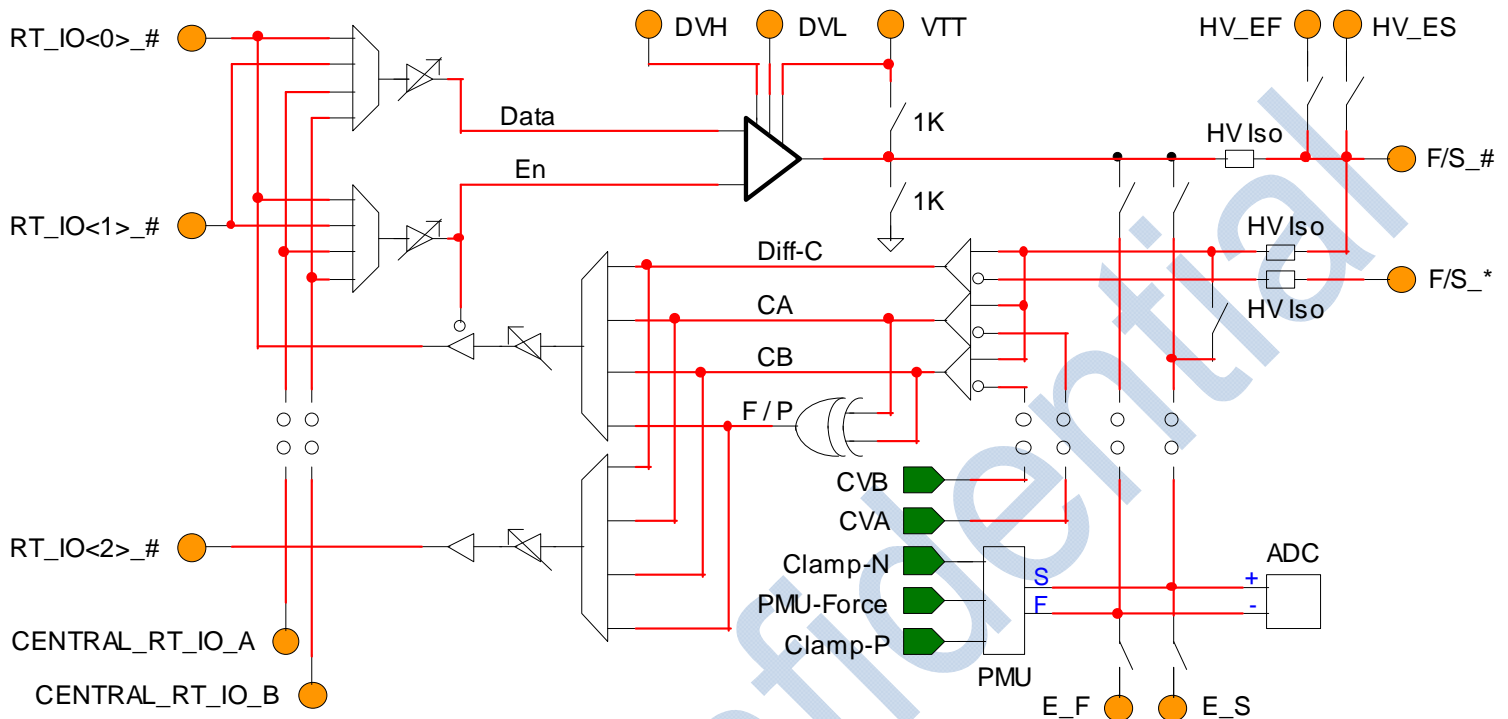


# ANALOG TEST ENGINES



## PE77 . 8 Channel, 5V, 800 Mb/s Pin Electronics w/ 15V SV

### Pin Electronics . Driver

- 800 Mb/s, 3 Level Driver, Differential Driver
- -1.0V to +5.0V Output Range
- 1K $\hat{o}$  HiZ Pull-Down to Ground Option
- 1K $\hat{o}$  HiZ Pull-Up to VTT Option

### Pin Electronics . Comparator

- 800 Mb/s Fmax
- -1.5V to +5.0V Input Range
- Dual comparators w/ on-chip thresholds
- Differential comparator per channel-pair
- Pass / Fail Mode

### Deskew

- Coarse Delay (5 ns range, 40 ps res)
- Pulse Width Adjust ( $\pm 256$  ps / 4 ps Res)

### FPGA Real Time Interface

- Flexible FPGA Interface
- 2 or 3 FPGA Pins / Channel
- 2 Central FPGA Pins / Chip
- Asynchronous I/O
- CMOS I/O w/ On-Chip Terminations
- Technology Independent (Adjustable) I/O

### Super Voltage / High Voltage EF / ES

- +15V Super Voltage Under Pattern Control
- 10 mA I<sub>max</sub>

### PMU

- -1.0 to +5.0V
- 5 Current Ranges (4  $\mu$ A to 40 mA)
- FV / FI / MV / MI
- Voltage / Current Clamps

### Measurement System

- Integrated 16-Bit ADC
- Integrated Force & Sense Switches

### Built-In Self Protection

- Over Temperature Alarm
- F/S\_# Continuity Checker
- DUT Ground Continuity Checker

### Package / Power

- 10 mm X 10 mm QFN, Lead Free
- Exposed heat slug on bottom
- 72 Lead, 0.5 mm lead pitch
- 75 to 150 mW / Channel (Pd<sub>q</sub>)