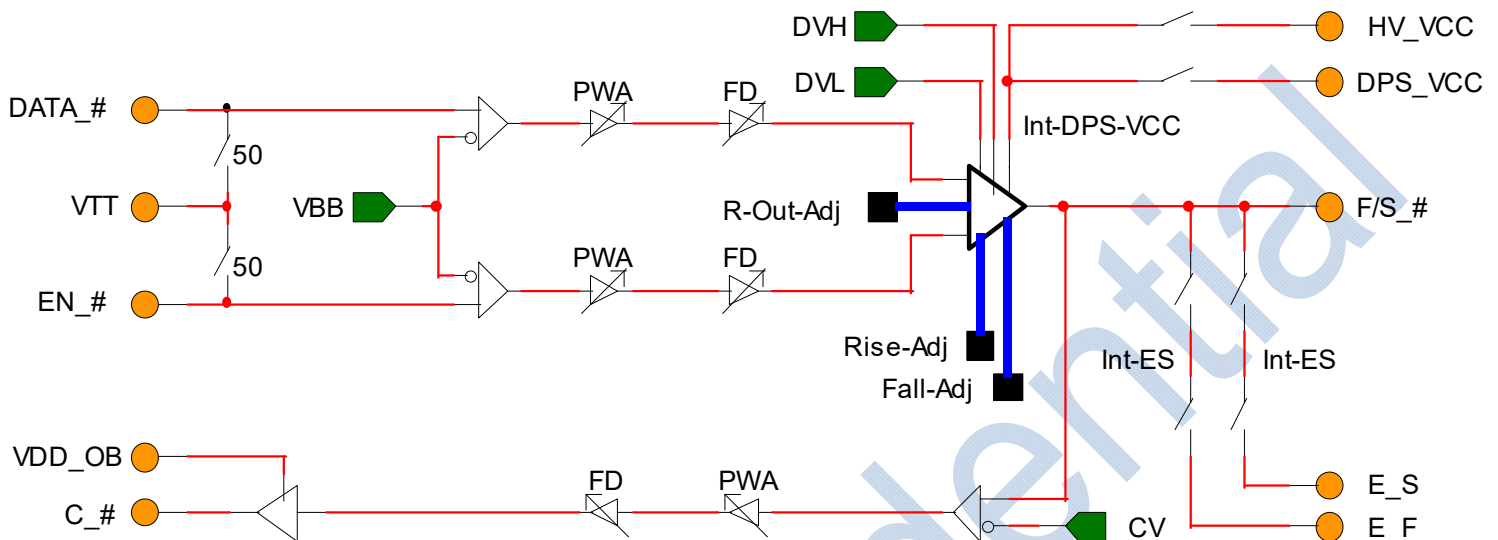


ANALOG TEST ENGINES



PE800 – Octal, 250 Mb/s, 9V, High-Current Burn-In PE

Pin Electronics – Driver

- 250 Mb/s Fmax
- 50Ω / 25Ω / 16Ω Impedance Options
- Adjustable slew rate (0.1 V/ns to 1 V/ns)
- 2 Level Driver w/ on-chip levels
- -2V to +7V Output Range

Pin Electronics – Comparator

- 400 Mb/s Fmax
- Single comparator w/ on-chip threshold
- -2V to +7V Input Range
- Selectable 25 mV Hysteresis

Deskew

- Fine Delay
 - Adjustable from 1 ns to 10 ns
 - Resolution from 1 ps to 10 ps
- Pulse Width Adjust ±512 ps w/ 4 ps res

Real Time Data I/O

- Asynchronous Interface
- Adjustable FPGA Interface
 - Programmable Input Threshold
 - Adjustable Comparator VOH

Built-In Protection

- Over Temperature Protection / Alarm
- Short-Circuit Protection / Alarm
- F/S_# Continuity Checker
- DUT Ground Continuity Checker

2 Pin Serial Port

Power / Package

- 72 Lead, 10 mm X 10 mm QFN
 - Lead Free
 - Exposed Heat Slug on the Bottom
 - Extremely low Θ_{JC}
- 500 mW / Channel Pdq
- Integrated Power-Management Switches

Recommended Applications

- Burn-In Test
- Low Cost Functional Test
- BIST / Scan Test
- In-Circuit PCB Test