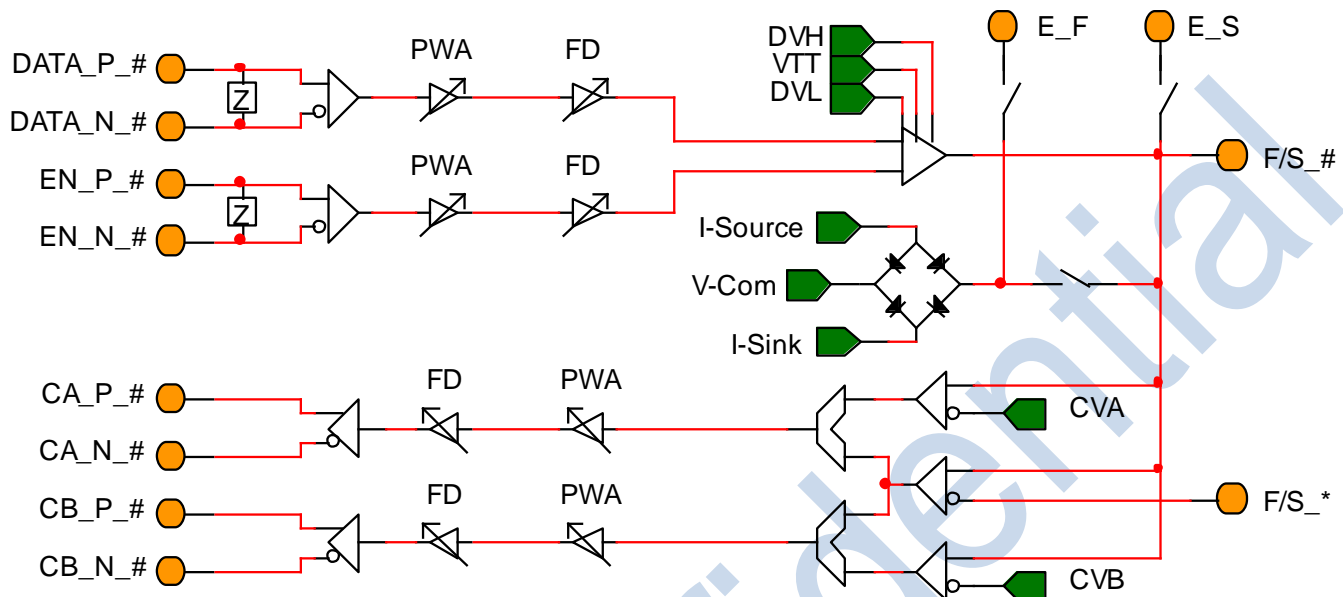


ANALOG TEST ENGINES



PE80 – Quad Channel, 2.0 Gb/s, Pin Electronics

Driver

- 2.0 Gb/s Fmax
- 3 Level Driver w/ On-Chip Levels
- Driver Modes
 - Differential Driver
 - 1:2 / 1:4 Fanout
- -1.5V to +4.5V Output Range

Comparator

- 2.0 Gb/s Fmax
- -2.0V to +5.5V Input Range
- Dual Comparators w/ On-Chip Thresholds
- Differential Comparator

Deskew

- Fine Delay
 - Adjustable span from 400 ps to 5.0 ns
 - Resolution from 0.4 ps to 5 ps
- Pulse Width Adjust (± 200 ps / 1.5 ps Res)

Active Load (16 mA)

- On-Chip V-Com and Source / Sink Levels
- Independent Source and Sink Currents

Integrated 16-Bit DACs

- Integrated Offset and Gain Adjust

Product Status – Production

Measurement Capability

- External Force / Sense Switches
- Analog Monitor

FPGA Real Time Interface

- Universal Inputs
 - Differential or Single-Ended
 - Integrated Terminations
- Universal Outputs
 - Differential or Single-Ended
 - Adjustable Common Mode
 - Adjustable Swing

Built-In Self Protection

- Over Temperature Alarm
- F/S_# Continuity Checkers
- DUT Ground Continuity Checker

2 Pin Serial Port

Package / Power

- 8 mm X 8 mm FC-BGA, Lead Free
- Exposed Back-of-the-Die on top
- 81 Ball, 0.8 mm lead pitch
- 500 mW to 1W / Channel

Revision Date 2024_04_19