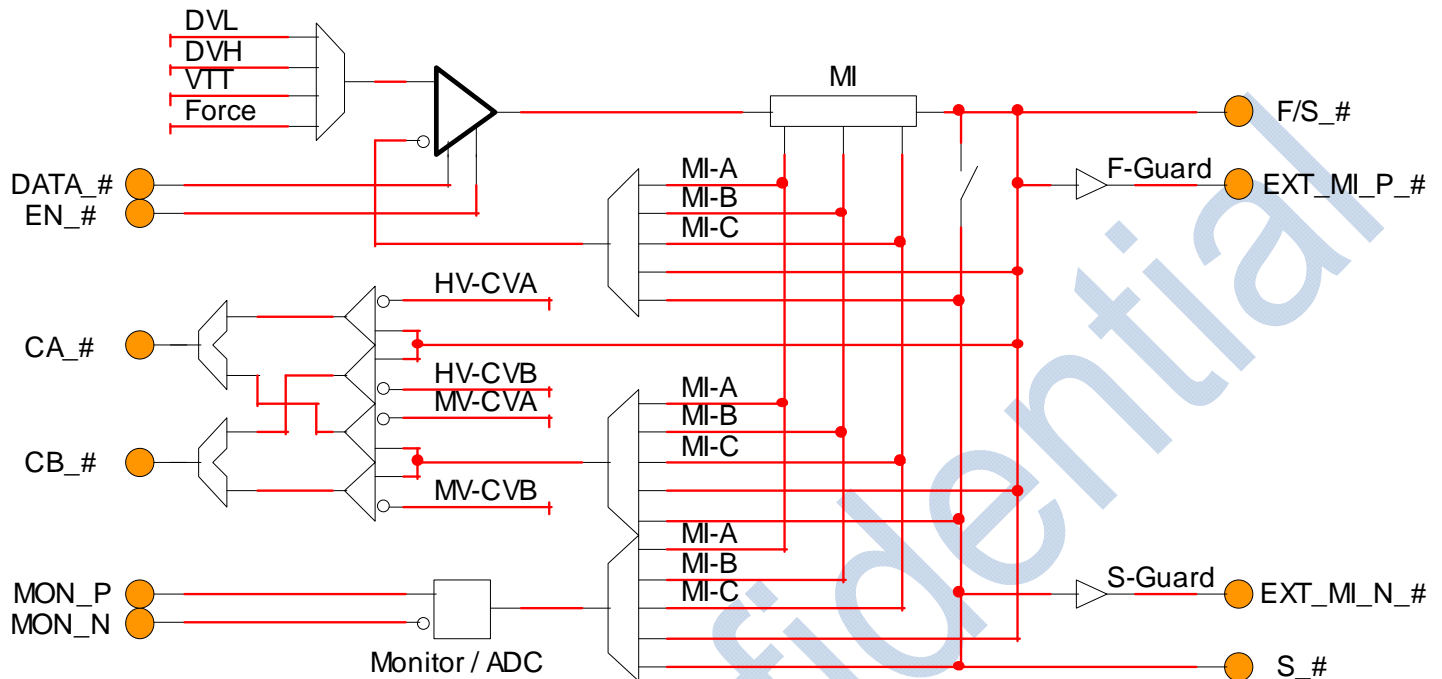


ANALOG TEST ENGINES



UTP40 . Quad, 9V, 1A Universal Test Pin

DPS / PMU

- FV / FI / MV / MI Capability
- -2.0V to +7V Force Voltage Range
- 6 Current Ranges
(5 μ A to 500 mA) to (20 μ A to 2A)
- Programmable Voltage / Current Clamps
- Slew Rate Adjust (0.1V / μ s to 5V / μ s)
- Ganging Capability
- Force and Sense Guards

Measurement Capability

- MV / MI Capability
- External Force / Sense Switches
- Analog Monitor
- \pm 2.5V; 0V to +2.5V ADC Interface Options
- 5 Independent Integrated 16-Bit ADCs

Built In Self Protection

- Voltage Clamp / Alarms
- Current Clamp / Alarm
- Over Temperature Alarm
- Over-Voltage Alarm
- Over-Current Alarm
- Over-Current Bypass

FPGA Real Time Interface

- 1.2V to 1.8V CMOS I/O Compatible

Power Amplifier Controller Mode

- Voltage Scaling
- Current Scaling

Pin Electronics . 1A Driver or 50 \hat{o} Driver

- 50 Mb/s Fmax / 4 Level Driver
- -1.5V to +7.0V Output Range
- Slew Rate Adjust (0.05 to 0.25 V/ns)

Pin Electronics . Comparator

- 100 Mb/s Fmax
- Two Sets of Dual comparators
- -2V to +7V Input Range

Serial Port Control

- 2 Pin Serial Port

Package / Power

- 10 mm X 10 mm QFN, w/ Slug Down
- 72 Lead, 0.5 mm lead pitch
- 750 mW / Channel (Pd_q)